



TD-10R

CRAWLER DOZER
STD & LGP

■ **Net Horsepower**
76 kW (101 hp)

■ **Blade Capacity**
2.15 m³ (2.81 yd³)
2.21 m³ (2.89 yd³)

■ **Operating Weight**
9230 kg (20,348 lb) STD
9343 kg (20,598 lb) LGP



TD-10R

CRAWLER DOZER

STD & LGP

- Full power shift transmission
- Highly efficient torque converter
- Wet-type steering clutches and brakes
- Hydraulic lift, tilt & angle blade
- Left joystick for transmission and steering control



ENGINE

* Make and Model	CUMMINS QSB4.5
Type	In-line, 4-cylinder
Aspiration	Turbocharged and CAC
Fuel system	Electronic
Gross Horsepower, SAE J 1995	82 kW (110 hp)
Net Horsepower, SAE J 1349/ISO 9249	76 kW (101 hp)
Rated rpm	2500 rpm
Max. torque @1500 rpm	488 Nm (360 ft-lb)
Displacement	4.5 l (275 in ³)
Bore and Stroke	102 x 137 mm (4.02" x 5.42")
Air cleaner	two stage, dry type with service indicator

*Meets EU Stage IIIA and EPA Tier 3 emission regulations

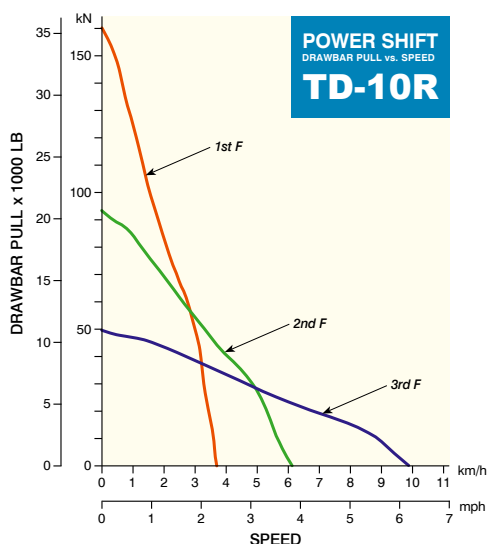
TRANSMISSION & TORQUE CONVERTER

Modular countershaft type full power shift, electro-hydraulically actuated with 3 speeds forward, 3 reverse. Joystick control valve has electric transmission range shift control for up and down shifting.

Single stage 280 mm (11") torque converter with 2.153:1 stall ratio drives to transmission through a permanently lubricated double universal joint.

TRAVEL SPEEDS

Gear	Forward		Reverse	
	km/h	(mph)	km/h	(mph)
1 st	3.7	(2.3)	4.4	(2.7)
2 nd	6.2	(3.8)	7.3	(4.5)
3 rd	10.0	(6.2)	12.0	(7.4)



STEERING & BRAKING

Single stage planetary type, wet single disc steering clutches. Single disc, wet-type steering brakes. Steering clutches and brakes run in oil and are hydraulically actuated. The left hand joystick controls transmission and steering drive. Right foot pedal applies decelerator and brake for parking. Left pedal applies disc brakes for downhill speed control. Brakes are spring applied and hydraulically released.

FINAL DRIVES

Single stage spur-gear drive to sprockets 8.1:1 reduction ratio. Final drive has metal face seals. Operates in oil for long life. Sprockets are replaceable without removing track frames.

TRACK FRAME

Heavy steel box section, rigid mount.

	STD	LGP
Track rollers each side	6	6
Top idlers each side	1	1
Front idlers (disc type)	casting	
All rollers and idlers	lifespan lubricated	

TRACKS

Lubricated Track System virtually eliminates internal pin and bushing wear.

	STD	LGP
Track shoe width	508 mm (20")	610 mm (24")
Track shoes, each side	39	40
Ground contact area	2.22 m ² (3,440 in ²)	2.77 m ² (4,294 in ²)
Ground pressure	40.8 kPa (5.9 psi)	33.1 kPa (4.8 psi)
Strutted track link pitch	165 mm (6.5")	
Height of grouser	53.6 mm (2.11")	
Track adjustment	full hydraulic	
Minimum ground clearance from bottom face of shoe	381 mm (15")	
Recovery hitch-height from ground to centerline of clevis	536 mm (21.1")	

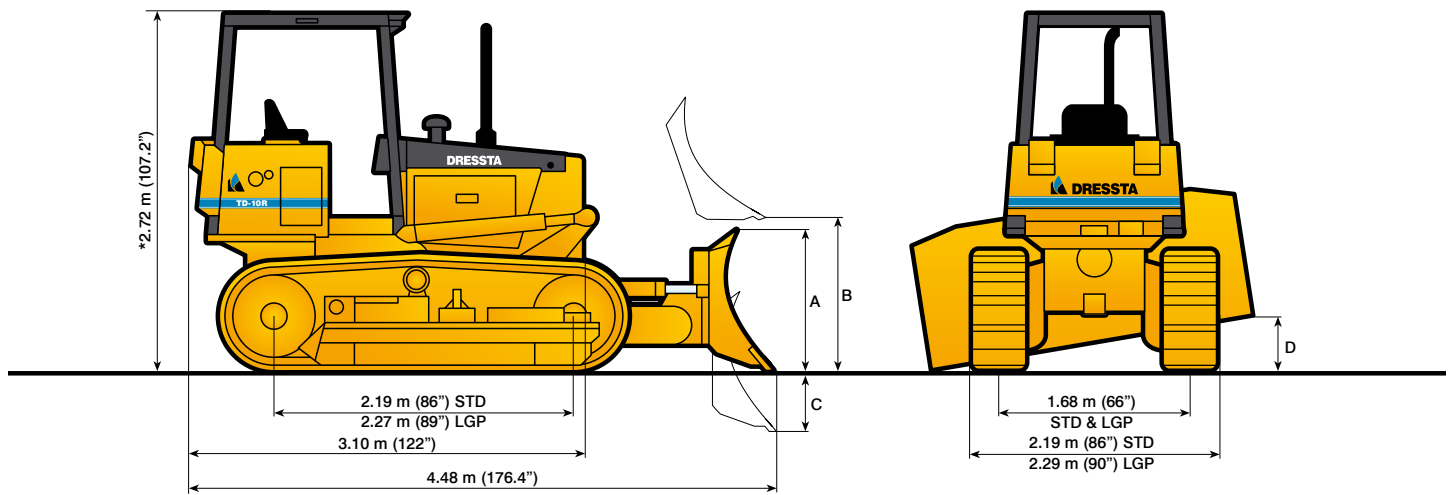
REFILL CAPACITIES

	Liter	(US gal)
Fuel tank	170.0	(45.0)
Cooling system	18.5	(4.9)
Crankcase	11.0	(2.9)
Transmission & steering drive	70.0	(18.5)
Final drive, each side	15.1	(4.0)

OPERATING WEIGHT

Includes hydraulic angle blade, standard equipment and full fuel.

	STD	LGP
Canopy ROPS/FOPS	9230 kg (20,348 lb)	9343 kg (20,598 lb)
Cab ROPS/FOPS	9525 kg (21,000 lb)	9638 kg (21,248 lb)



* Dimension includes 53.6 mm (2.11") grouser height
Overall height with Cab ROPS – 2.76 m (108.5")

OVERALL DIMENSIONS WITH EQUIPMENT

Type of Track Frame	STD	LGP
Length, with blade and ripper	4.97 m (16'4")	4.97 m (16'4")
Width, blade angled	2.75 m (9'0")	2.81 m (9'3")
Width, blade straight	2.97 m (9'9")	3.05 m (10'0")

BLADE SPECIFICATIONS

Type of Track Frame	STD	LGP
Blade capacity, SAE J1265	2.15 m ³ (2.81 yd ³)	2.21 m ³ (2.89 yd ³)
Max. usable track shoe width	508 mm (20")	610 mm (24")
Blade dimensions:		
– width over end bits	2.97 m (9'9")	3.05 m (10')
– height, struts centered	A 0.99 m (3'3")	0.99 m (3'3")
Max. lift, straight	B 0.87 m (34.3")	0.87 m (34.3")
Max. drop below ground level	C 0.42 m (16.5")	0.42 m (16.5")
Max. tilt adjustment	D 0.44 m (17.3")	0.45 m (17.7")
Blade angle, either side	25°	25°

RIPPER SPECIFICATION

Type	Multi-Shank		
Tool Beam		Shanks	
Overall width	1.44 m (4'9")	Number of shanks per ripper, max.	5
Cross section, height x width.....	165 x 165 mm (6.5" x 6.5")	Spacing center to center	343 mm (13.5")
Ground clearance under tool beam	716 mm (28.2")	Penetration, max.	305 mm (12.0")
Weight		Ground clearance, max. raised	422 mm (16.6")
Complete, including three shanks.....	510 kg (1,120 lb)	Shank positions (vertical).....	2
Each additional shank	9 kg (20 lb)		

HYDRAULIC CONTROL SYSTEM

Pump, tandem gear.		Cylinders, bore and stroke	
Output @ 3.45 MPa (500 psi)		Lift (2)	89 x 449 mm (3.5" x 17.7")
& rated engine rpm	75.2 l/min (19.9 gpm)	Angle (2).....	89 x 352 mm (3.5" x 13.9")
Relief valve setting		Tilt (1)	89 x 144 mm (3.5" x 5.7")
Blade lift & ripper	15 512 kPa (2,250 psi)	Reservoir with sight gauge, system capacity, right fender mounted,	
Tilt.....	15 512 kPa (2,250 psi)	includes cylinders & lines	51 l (13.5 gal)

TD-10R

CRAWLER DOZER

STD & LGP



STANDARD EQUIPMENT

- Air cleaner, dry type, with primary and safety elements and service indicator
- Alarm, back-up
- Alternator, 105 A
- Antifreeze, -37°C (-34°F)
- Battery, (1) 12 V, 815 CCA, maintenance free
- Canopy ROPS/FOPS (SAE J1040, J231) with roof extension, roof headliner, mirror
- Cooling module; includes radiator, transmission oil cooler and charge air cooler; isolation mounted
- Counterweights, front idler
- Cup holder
- Decelerator/brake – right pedal and brake – left pedal, brake pedal lock button, foot operated
- Engine hood, solid
- Engine side doors, perforated
- Engine speed control knob, L.H. location
- Fan, blower
- Filters, with “spin-on” elements: engine oil, fuel, power train, equip. hyd.
- Guards: crankcase with pull hook, lights, radiator, transmission, rock deflector, fan, fuel tank bottom and back-up alarm
- Hitch, retrieval
- Horn
- Hydraulics, 3-spool valve, “T” control
- Instruments:
 - Gauges: fuel level, coolant temperature, engine oil pressure, power train oil temperature, voltmeter, hourmeter
 - Warning lights: transmission filter service indicator, air filter and hydraulic filter service indicator
- Lights, 2 front, 1 rear, halogen type
- Muffler, underhood with exhaust pipe and elbow
- Power train diagnostic check panel w/brake release port
- Protection guard for fuel tank and filler
- Radiator guard door, louvered
- Seat belt (SAE J386) – 3” wide, retractable
- Seat, suspension type with adjustable arm rests
- Starting aid – air grid heater
- Starting, 12 V
- Steering & transmission, left hand single lever control, joystick w/safety lever
- Strainer, fuel
- Tools compartment
- Torque converter, single stage
- Track adjusters, hydraulic
- Track chains, sealed & lubricated (LTS) with split master links, 39 links
- Track frame, 6 rollers, 1.68 m (66”) gauge, rigid type, lifespan lubricated rollers and idlers, front and rear chain guides
- Track frame covers
- Track shoes, 508 mm (20”), set of 78
- Transmission, full power shift, 3 speeds forward, 3 reverse
- Water separator, fuel system

OPTIONAL ATTACHMENTS

- Air conditioner/heater/pressurizer/defroster
- Angle dozer 2.15 cu.m (2.81 cu.yd), inside arm w/hyd. tilt & angle, for STD
- Angle dozer 2.21 cu.m (2.89 cu.yd), inside arm w/hyd. tilt & angle, for LGP
- Battery, cold start, 12 V, 960 CCA
- Cab, ROPS with sound suppression, wipers (4) and washers, mirror, dome light & tinted safety glass
- Defroster fan (for use w/cab)
- Forestry front sweeps w/exhaust pipe (for use w/cab or canopy ROPS/FOPS)
- Guards for STD or LGP
 - track roller, standard strength
 - track roller, full length, heavy duty type
- Heater/pressurizer/defroster
- Hood, perforated (blower fan recommended)
- Hydraulics, 4-spool valve, 2 levers (“T”+ single), for use w/ripper or auxiliary attachments
- Lubricated track system, 40 links, for LGP
- Mirrors, 2 pcs (for use w/cab)
- Resonator, exhaust
- Ripper, multi-shank w/3 teeth (provision for 5 teeth)
- Screening package, black painted (Canopy ROPS for screens installation must be ordered)
 - screens, front
 - screen, rear
 - doors and side screens w/third post
 - screen, overhead, for upper front lights protection (for use w/sweeps)
- Seat, suspension type with adjustable arm rests (for use with cab)
- Track frame for LGP, 6 rollers, 1.68 m (66”) gauge, rigid type
- Track frame covers, LGP
- Track chain guides, front and rear, LGP
- Track shoes, 610 mm (24”), set of 80, for LGP
- Vandalism protection

Specifications subject to change without notice. Illustrations may include optional attachments and accessories and may not include all standard equipment.

NOTE: Low Ground Pressure (LGP) tractors are designed for use in mud, snow and other soft ground applications.

Use in hard or rocky conditions will reduce undercarriage life and can cause damage to components.

DRESSTA

Kwiatkowskiego 1, 37-450 Stalowa Wola, P O L A N D
 tel.: +48 15 813 5252, 15 813 4556 fax: +48 15 813 4763
 sales@dressta.com.pl www.dressta.com.pl